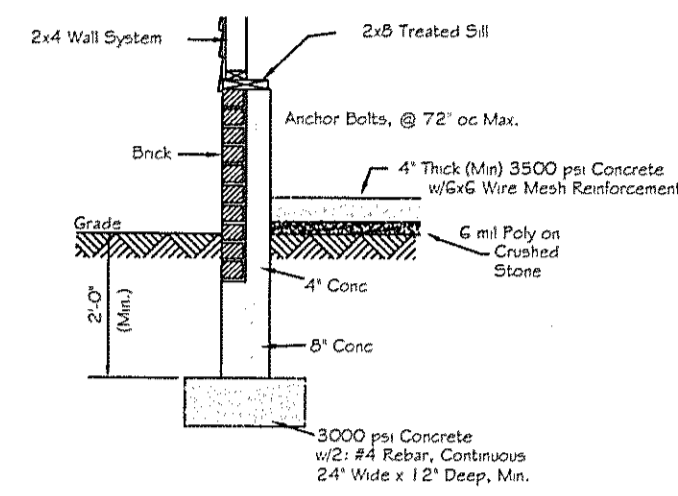
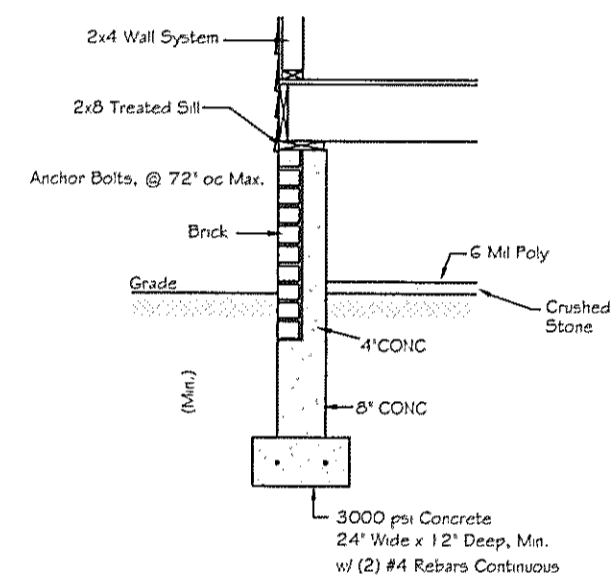


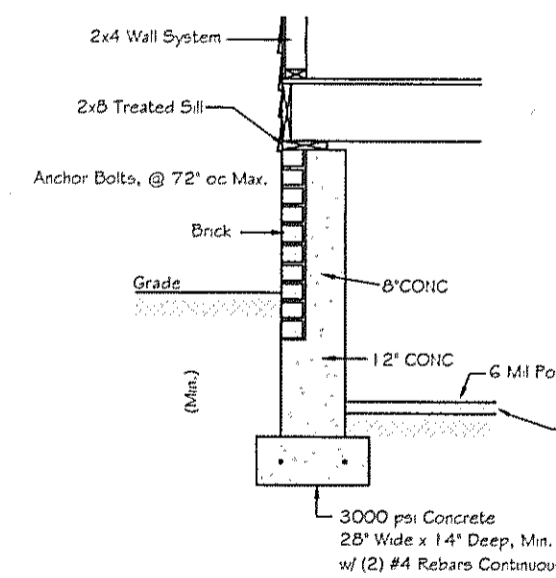
# NOTES:



**Foundation Detail @ Garage**  
Scale: 3/8" = 1'-0"



**Typ.8" Foundation Detail**  
Not To Scale



**Typ.12" Foundation Detail**  
Not To Scale

- The house band and sill shall be pressure treated where decks, porches and other appurtenances are attached.
- Double joists to be provided beneath Cantilevered area
- Provide solid blocking between joists at all interior Load Bearing Walls.
- ■ Indicates point-load bearing locations.

Exterior Wall are normally 6" thick  
Interior Wall are normally 3 1/2" thick

Exterior Headers are to be (2) 2x8's  
Interior Headers are to be (2) 2x6's  
(Unless Otherwise Noted)

Provide double joists directly beneath all 2nd. Fl. transverse walls

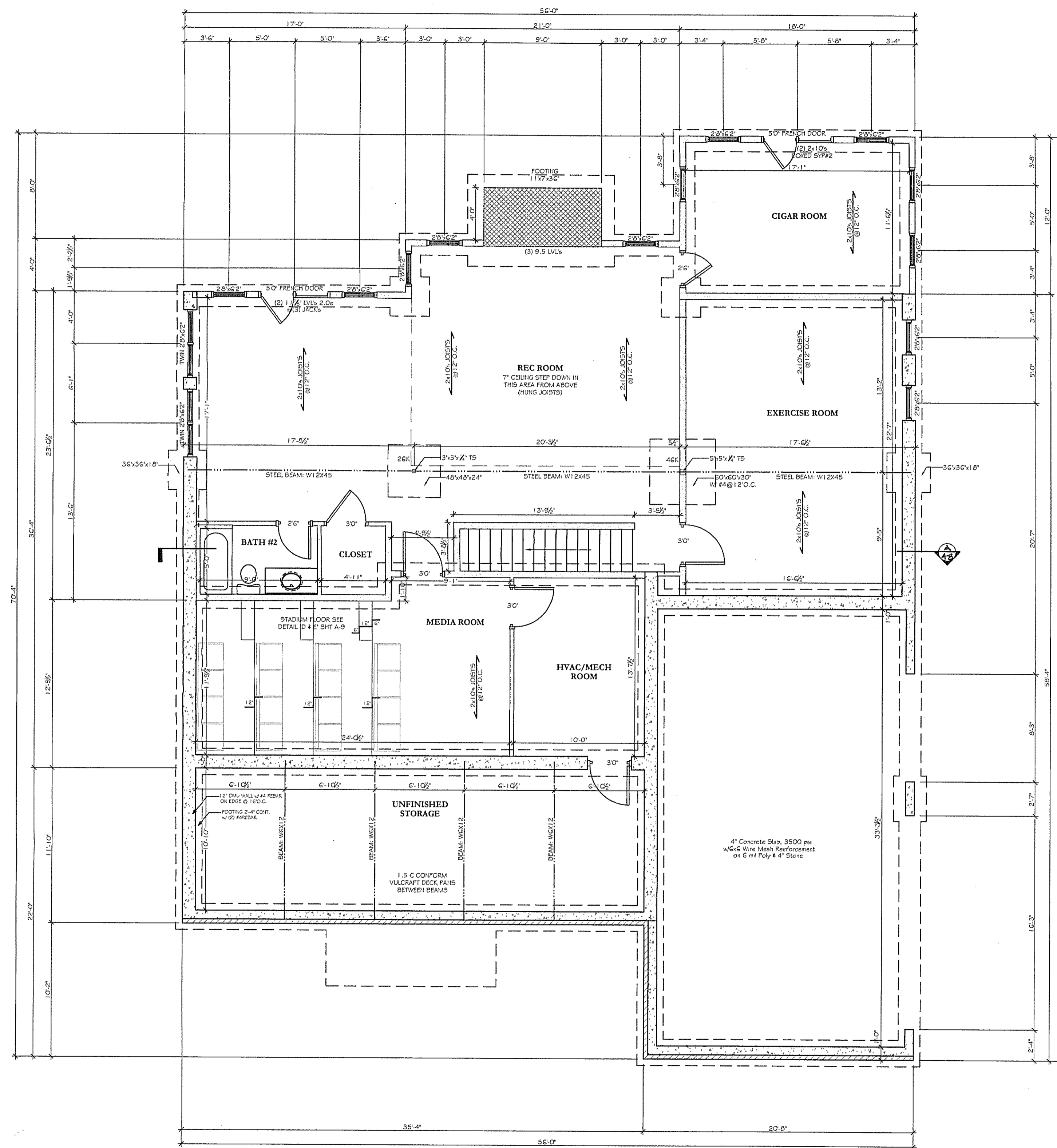
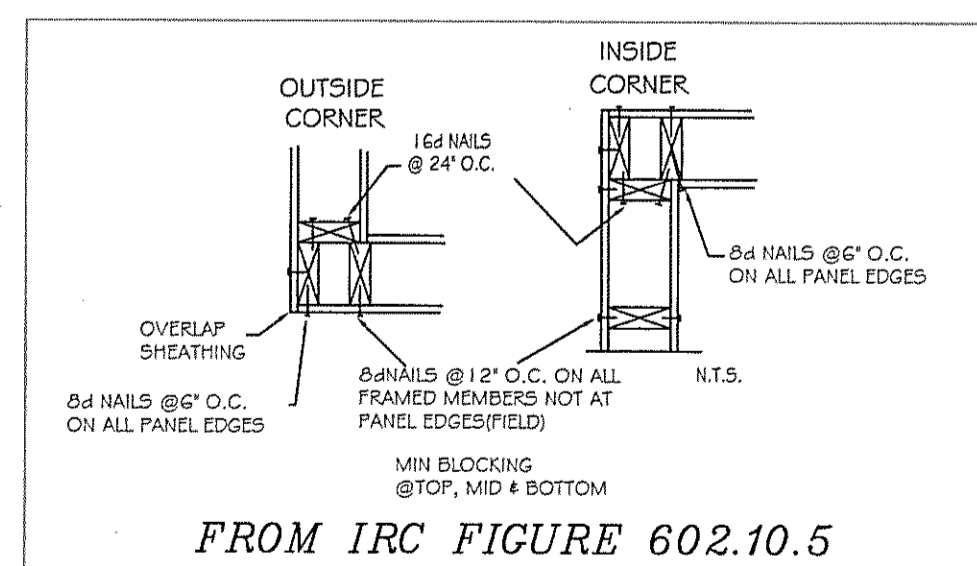
Exterior Walls to be braced per 2003 IRC Sect. 602.10

WALL CONSTRUCTION shall be in accordance with R602.10.5 Continuous Structural Panel Sheathing. When R602.10.5 is provided in accordance with Method #3 of R602.10.3 on all sheathable areas of all exterior walls, including areas above and below openings, (B)raced (W)all (P)anel shall be in accordance with Table R602.10.5.

Wood Structural Panel Sheathing at corners in accordance with Figure R602.10.5, all other sheathing to be installed in accordance with Table R602.3(3). to be installed (8d common nails 6"oc edges & 12"oc all other.)

- SMOKE DETECTORS  
Smoke detectors installed in a new dwelling shall be interconnected and shall receive their primary power by permanent connection to the dwelling's electrical system and when primary power is interrupted, shall receive power from a battery.

- EMERGENCY EGRESS  
Every sleeping room shall have at least one window with minimum net clear opening of 5.7 sq. ft. (5.0 sq. ft. for grade floor windows) with a minimum net clear width and height dimensions of 20" and 22" respectively. The sill height shall not be greater than 44".



## BASEMENT FLOOR PLAN

SCALE: 3/16" = 1'-0"

# NOTES:

WALL CONSTRUCTION shall be in accordance with R602.10.5 Continuous Structural Panel Sheathing. When R602.10.5 is provided in accordance with Method #3 of R602.10.3 on all sheathable areas of all exterior walls, including areas above and below openings, (B) raced (W)all (P)anel shall be in accordance with Table R602.10.5.

Wood Structural Panel Sheathing at corners in accordance with Figure R602.10.5, all other sheathing to be installed in accordance with Table R602.3(3). to be installed (8d common nails 6"oc edges & 12"oc all other.)

Exterior Wall are normally 6" thick  
Interior Wall are normally 3 1/2" thick

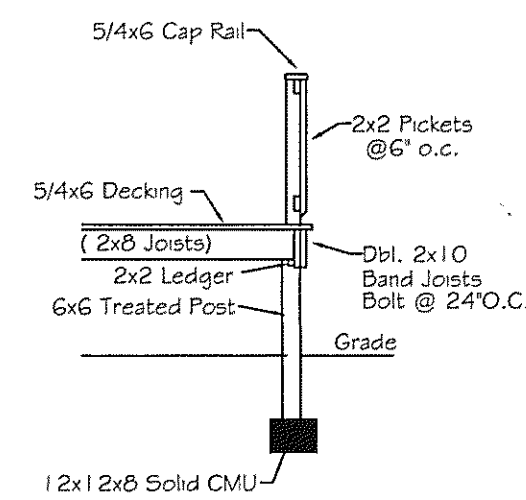
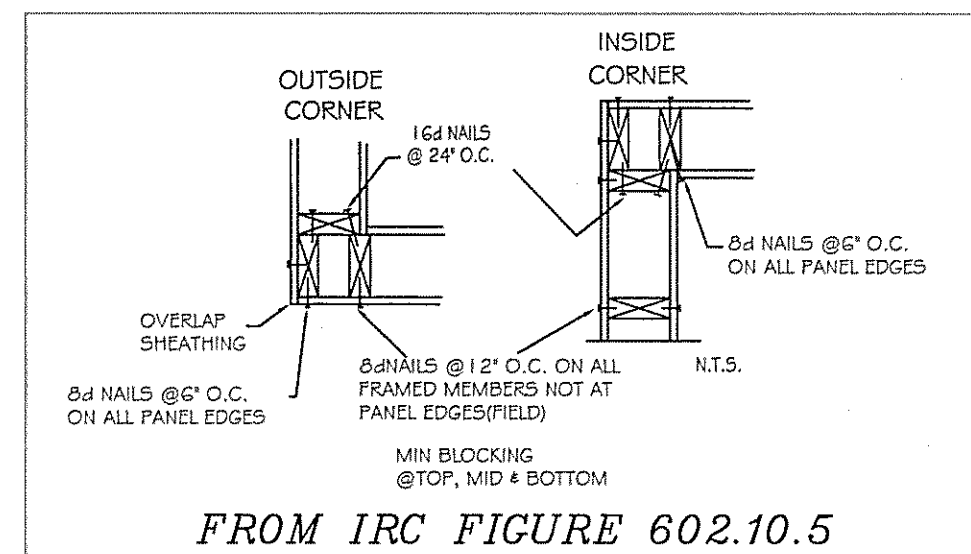
Exterior Headers are to be (2) 2x8's  
Interior Headers are to be (2) 2x6's  
(Unless Otherwise Noted)

Provide double joists directly beneath all 2nd. Fl. transverse walls

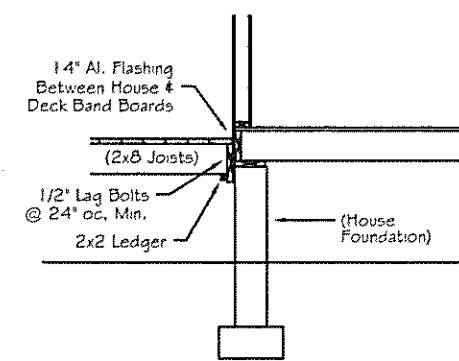
Exterior Walls to be braced per 2003 IRC Sect. 602.10

- SMOKE DETECTORS  
Smoke detectors installed in a new dwelling shall be interconnected and shall receive their primary power by permanent connection to the dwelling's electrical system and when primary power is interrupted, shall receive power from a battery.

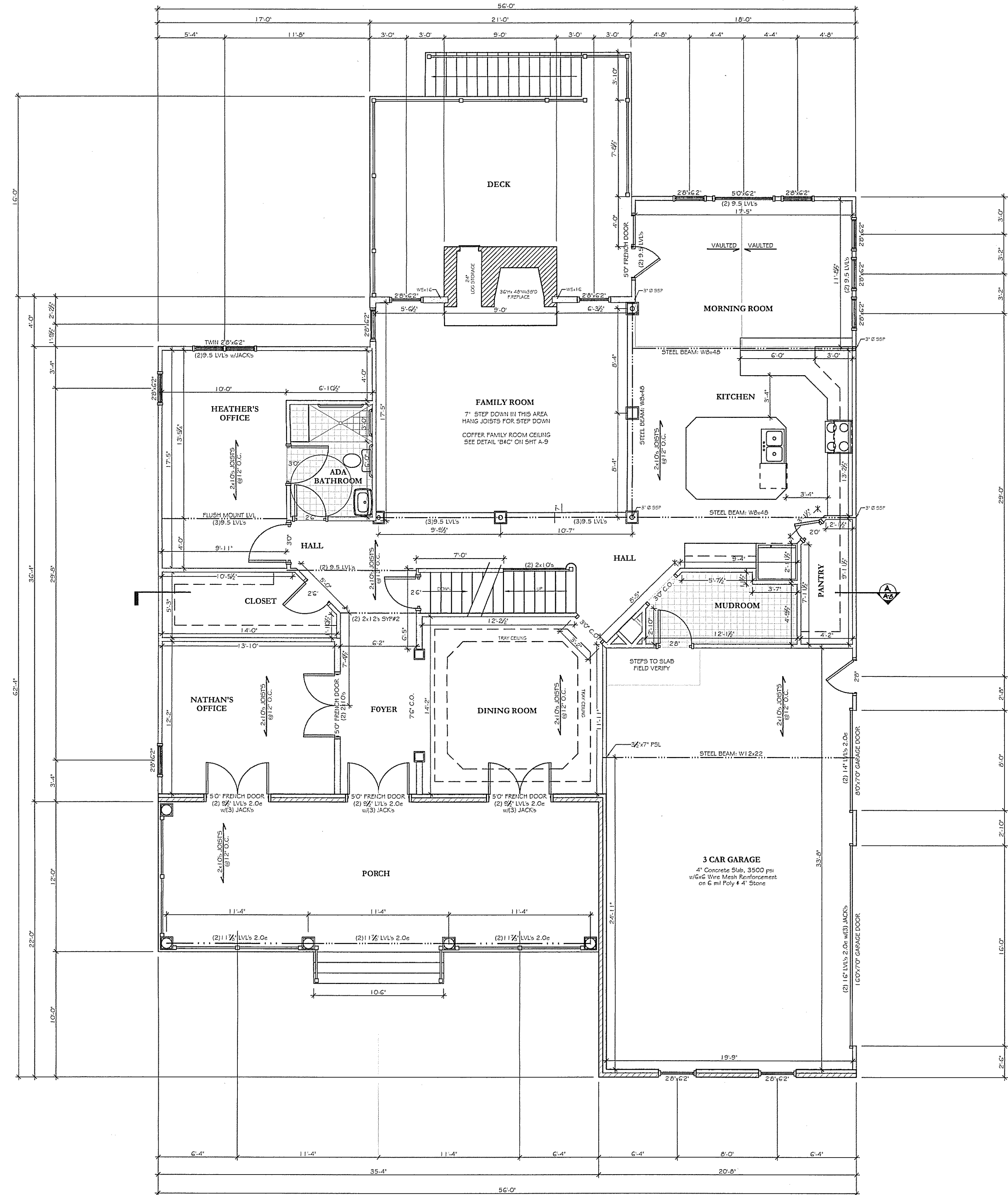
- EMERGENCY EGRESS  
Every sleeping room shall have at least one window with minimum net clear opening of 5.7 sq. ft. (5.0 sq. ft. for grade floor windows) with a minimum net clear width and height dimensions of 20" and 22" respectively. The sill height shall not be greater than 44".



**Typical Section @ Deck**  
Not To Scale



**Deck Section @ House**  
Not To Scale



## FIRST FLOOR PLAN

SCALE: 3/16" = 1'-0"

### BASEMENT FLOOR:

FINISHED AREA 2,025 S.F.  
UNFINISHED AREA 466 S.F.

FLOOR TOTAL 2,491 S.F.

### FIRST FLOOR:

FINISHED AREA 2,124 S.F.  
UNFINISHED AREA 1,461 S.F.  
• PORCH 424 S.F.  
• DECK 336 S.F.  
• GARAGE 701 S.F.

FLOOR TOTAL 3,585 S.F.

### SECOND FLOOR:

FINISHED AREA 2,362 S.F.  
UNFINISHED AREA 424 S.F.  
• PORCH 424 S.F.

FLOOR TOTAL 2,786 S.F.

### ATTIC FLOOR:

FINISHED AREA 898 S.F.  
UNFINISHED AREA 898 S.F.

FLOOR TOTAL 1,796 S.F.

FINISHED AREA SUBTOTAL 7,409 S.F.

UNFINISHED AREA SUBTOTAL 2,351 S.F.

TOTAL : 9,760 S.F.

**REDMARK DESIGN**  
FOR ALL YOUR DRAFTING NEEDS  
REDMARKDESIGN@HOTMAIL.COM  
RESIDENTIAL COMMERCIAL ARCHITECTURAL ENGINEERING

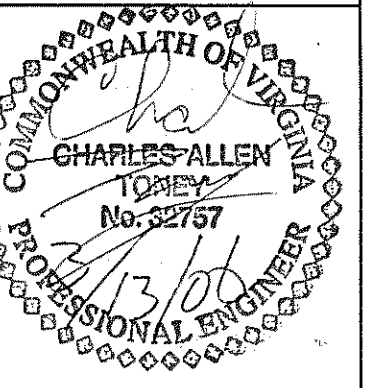
**Blue Ridge**  
CUSTOM HOMES, LLC

NEW CONSTRUCTION  
**THE SALEM**

DATE: 3/13/06

JOB # 102-06

DRAWN BY: KJK



**A-4**  
of 11

# NOTES:

WALL CONSTRUCTION shall be in accordance with R602.10.5 Continuous Structural Panel Sheathing. When R602.10.5 is provided in accordance with Method #3 of R602.10.3 on all sheathable areas of all exterior walls, including areas above and below openings, (B) Braced (Wall) (Panel) shall be in accordance with Table R602.10.5.

Wood Structural Panel Sheathing at corners in accordance with Figure R602.10.5, all other sheathing to be installed in accordance with Table R602.3(3), to be installed (8d common nails 6"oc edges & 12"oc all other.)

Exterior Wall are nominally 6" thick  
Interior Wall are nominally 3 1/2" thick

Exterior Headers are to be (2) 2x8's  
Interior Headers are to be (2) 2x6's  
(Unless Otherwise Noted)

Provide double joists directly beneath all 2nd. Fl. transverse walls

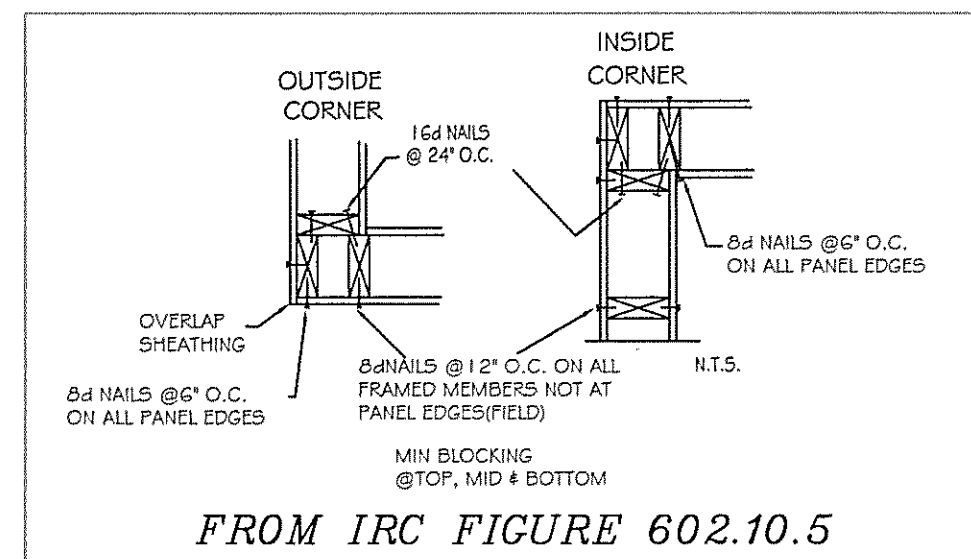
Exterior Walls to be braced per 2003 IRC Sect. 602.10

All Rafter Spacing to be @ 16" o.c.  
Eave Overhang: 12" Typical  
Roof Sheeting: 7/16" OSB

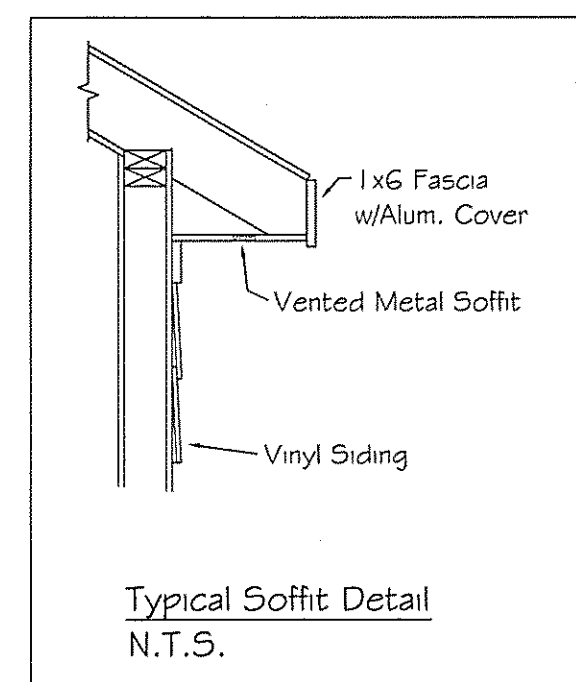
Roof Covering: 30-Yr. Dimensional Shingles on 15-lb Roof Felt.

- SMOKE DETECTORS  
Smoke detectors installed in a new dwelling shall be interconnected and shall receive their primary power by permanent connection to the dwelling's electrical system and when primary power is interrupted, shall receive power from a battery.

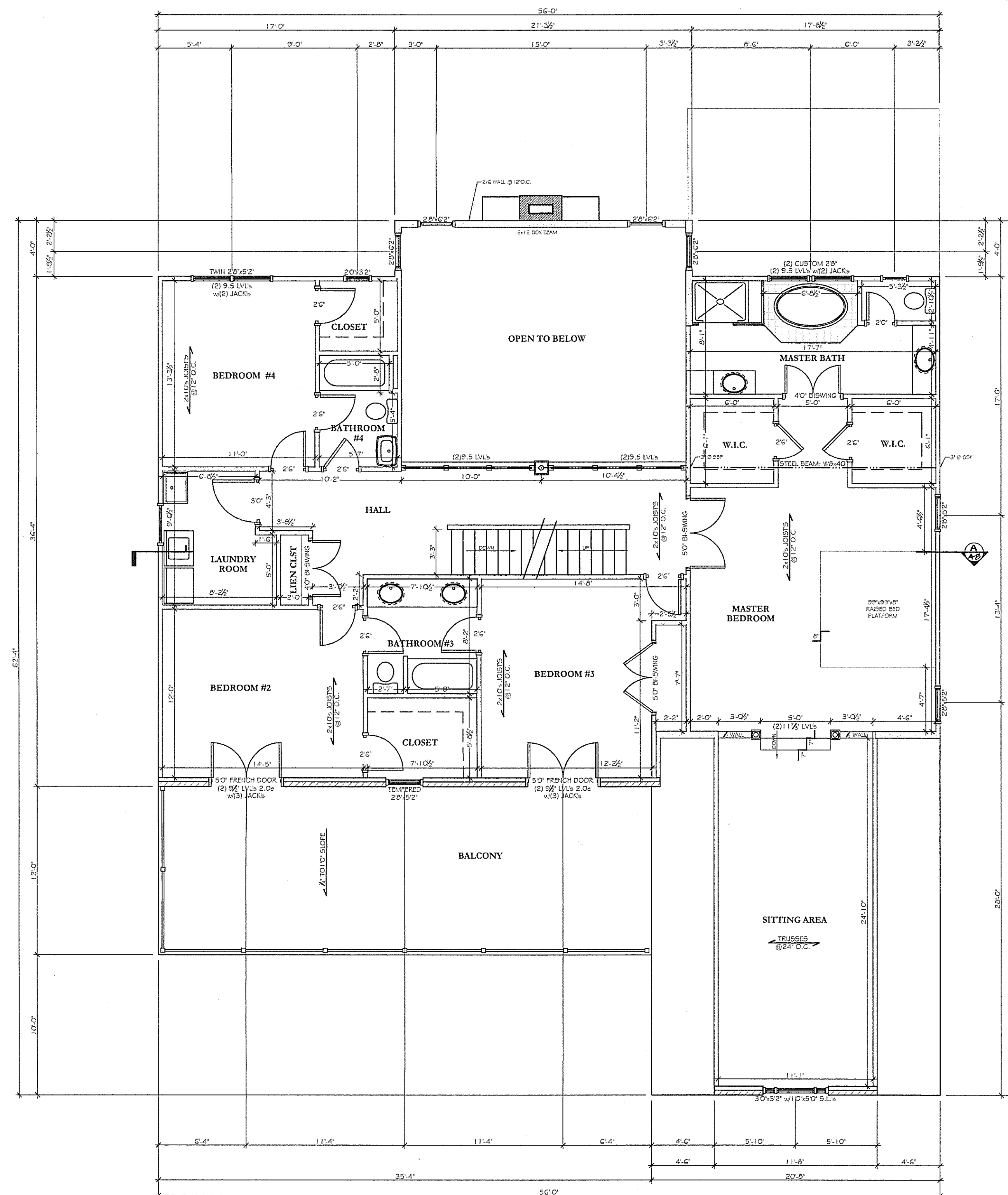
- EMERGENCY EGRESS  
Every sleeping room shall have at least one window with minimum net clear opening of 5.7 sq. ft. (5.0 sq. ft. for grade floor windows) with a minimum net clear width and height dimensions of 20" and 22" respectively. The sill height shall not be greater than 44".



FROM IRC FIGURE 602.10.5



SEE MANUFACTURER'S LAYOUT AND DESIGN FOR ALL TRUSS INFORMATION



## SECOND FLOOR PLAN

SCALE: 3/16" = 1'-0"

NOT FOR CONSTRUCTION

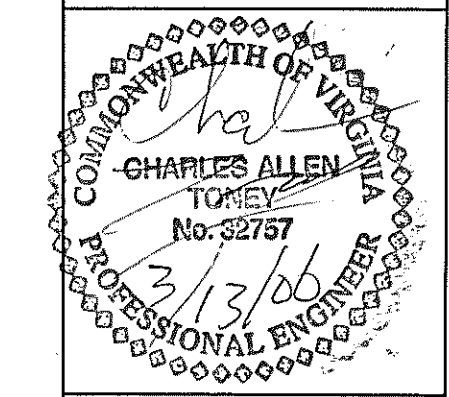
**REDMARK DESIGN**  
FOR ALL YOUR DRAFTING NEEDS  
REDMARKDESIGN@HOTMAIL.COM  
RESIDENTIAL COMMERCIAL ARCHITECTURAL ENGINEERING

**Blue Ridge**  
CUSTOM HOMES LLC

NEW CONSTRUCTION  
**THE SALEM**

DATE: 3/13/06  
JOB # 102-06

DRAWN BY: KJK



**A-5**  
of 11

